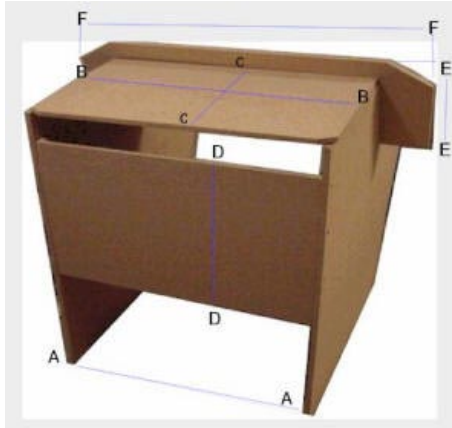


- A - A Instrument Panel width = 32"
- B - B Cockpit height = 33"
- B - C Depth at Top = 16"
- B - D Depth at Bottom = 24"
- E - E Control Panel Length = 18"
- F - F Control Panel Width = 7"
- G - G Control Panel to floor Height = 24"



- A - A Base Width = 24"
- B - B Monitor Support Width = 26"
- C - C Monitor Support Depth = 16"
- D - D Rear Panel Height = 20" (no longer slotted)
- E - E Instrument Panel Height = 10"
- F - F Instrument Panel Length = 32"